

ATTESTATION N° 03071298-7

I the undersigned, O. GAZAY, expert in Mont Saint Aignan, certify that, on 13 May 2003, I performed the following tests for the company FRENEHARD & MICHAUX – La mousse 61300 L'AIGLE:

I - REFERENCE STANDARDS

EN ISO 14-122 – 3

II – EQUIPMENT TESTED

Railing consisting of:

- 3 OVALIC rail posts on Z

plan n° MLFSGOV01 21G P 1619 000

plan n° MLFSGOV04 20G P 1619 000

- 2 smooth SECURIGARD handrails. diameter 30, thickness 2, l =300

plan n° MLFSGAC01 01G P 1610 000 A

Material: S235JRG2

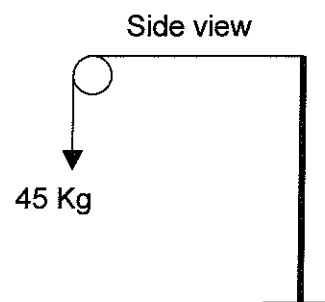
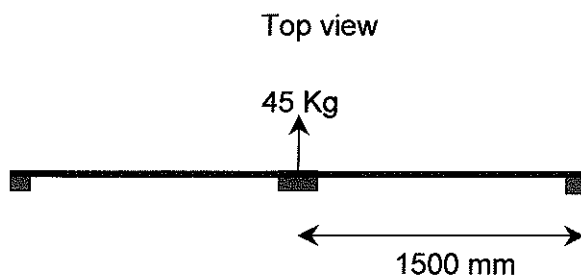
Test conditions: rail posts fastened to rigid metal frame

III – TEST EQUIPMENT

- Load according to standards: 45 kg

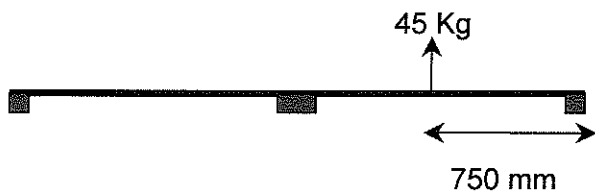
IV – TESTS PERFORMED

Static test on central post



Bending measured at end of post = 21 mm
Residual bending measured at end of post = 0 mm

Static test on handrail



Bending measured at the center of the handrail = 24 mm

Residual bending measured at the center of the handrail = 0 mm

V – RESULTS: tests according to standard EN ISO 14 122 – 3

No residual deformation; no sliding of fastening system.

VI – CONCLUSION

RESULTS SATISFACTORY